

## CPI Electron Device Business - Coaxial Magnetron



### FEATURES:

- Frequency 4.9 – 5.1 GHz
- Peak power output 1.5 MW
- Duty cycle .001
- Anode voltage 38 kV
- Anode current 83 amps
- Pulse width 1.0 microseconds
- Heater 5 volts @ 28 amps
- Air cooled
- Mechanically tunable

### BENEFITS:

- Long life
- Exceptional frequency stability

### APPLICATIONS:

- Threat simulator radars
- Weather radars

# CPI EDB C-Band 1.5 MW Coaxial Magnetron: SFD369

## Electrical Specifications

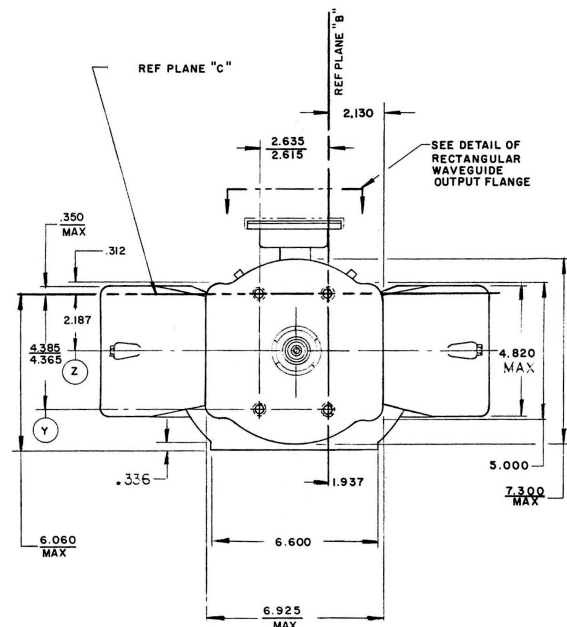
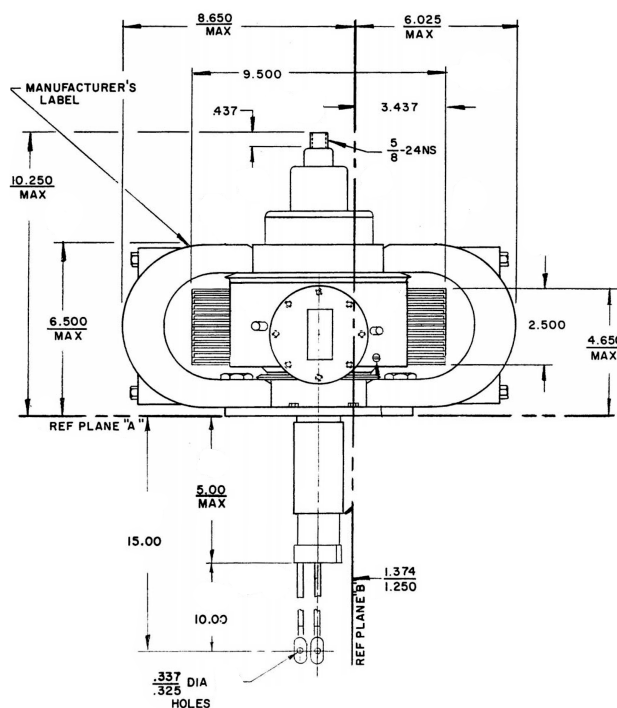
Frequency	4.9 – 5.14 GHz
Peak Power Output	1.5 MW
Average Power Output	1.65 kW
Pulse Voltage	36.5 – 40.5 kV
Peak Anode Current	70 A
Average Anode Current	83 mA
Pulse Width	1.3 $\mu$ S
Duty Cycle	0.0011
Maximum Filament Voltage	7.5 V
Maximum Filament Current	35 A
Minimum Warm -Up Time	480 S
Maximum Load VSWR	1.3:1

## Mechanical and Environmental Specifications

Cooling	Forced air
Maximum Body Temperature	250°C
Mounting Position	Any
Support	Mounting flange
Coupling	WR 187 mates with UG -48B/U choke flange
Weight	75 lbs. (35.02 kg)

With a history of producing high quality products, we can help your with magnetron.

Contact us at [ElectronDevices@cpiedb.com](mailto:ElectronDevices@cpiedb.com) or call us at +1 978-922-6000.



**Beverly Microwave Division**  
150 Sohier Road  
Beverly, Massachusetts  
USA 01915

tel +1 978-922-6000  
email [ElectronDevices@cpiedb.com](mailto:ElectronDevices@cpiedb.com)  
fax +1 978-922-8914  
web [www.cpi-edb.com](http://www.cpi-edb.com)

For more detailed information, please refer to the corresponding CPI EDB technical description if one has been published, or contact CPI EDB. Specifications may change without notice as a result of additional data or product refinement. Please contact CPI EDB before using this information for system design.

©2024 CPI Electron Device Business. Company proprietary; use and reproduction is strictly prohibited without written authorization from CPI EDB.